

KALEA

A4 MINI



KALEA 
LIFTS

NEXT LEVEL

Kalea A4 MINI

– Improves your home & makes everyday life easier!

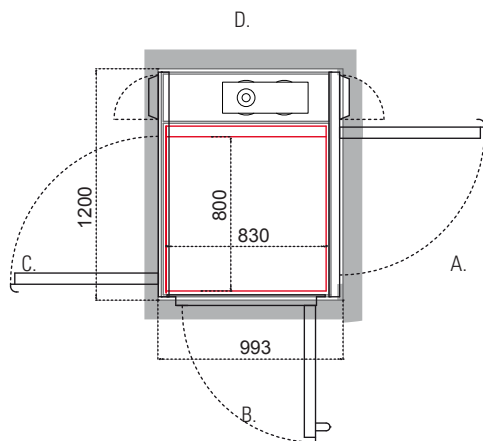
- A variety of accessories and options
- Steel or glazed shaft
- Steel doors with panoramic window as standard
- Exclusive aluminium doors as option
- A variety of optional RAL colours

KALEA A4 MINI the small platform lift which can be fitted into very small spaces and is especially developed for private homes and department buildings. With a wide range of options and accessories the lift will not only blend into your home, it will complement it! For any space where you need freedom and increased accessibility Kalea A4 Mini is a great solution.

KALEA A4 MINI is a screw driven vertical platform lift with self supporting shaft enclosure. When other lift types need construction work, pit, machine and head room, the A4 Mini demands minimum space and effort. The lift is easy to install and is delivered with a prefabricated shaft made of steel or laminated safety glass panels. Safety edges, emergency lighting and an alarm button guarantees that you feel completely safe. Personalize your Kalea A4 Mini by choosing your own RAL-colour, an elegant glazed shaft or a simple but still stylish steel shaft in combination with a variety of accessories and options.

TECHNICAL FACTS - KALEA A4 MINI	
Rated load	300 kg
Rated speed	9 m/min (0,15 m/s)
Lifting height	max 4 landings, 13 meters
Commandes	Pression enregistrée (paliers), pression permanente (plate-forme)
Platform sizes	830 x 800 (depth x width, mm)
Cut out sizes	960 x 1200 (depth x width, mm)
Pit	50 mm
Shaft	Standard steel panels or glazed panels as option
Doors	Single hinged doors. Standard steel door fronts painted off white RAL 9016. Aluminium door fronts in natural anodized aluminium. Fire and gas resistant doors EI60
Door configuration	Single-entry, open through, adjacent
Door dimensions	700 x 2000 mm (steel door)
Gate dimensions	700 x 1100 mm (lifting height < 3 m)
Control system	Micro computer based control system
Optional	230 V, 1-phase, frequency converter, soft start & stop 400 V, 3-phase frequency converter, soft start & stop
Options	Telephones, locking systems, automatic door openers, elbow buttons, electric battery lowering, IR-control, automatic shaft lighting, arrival bells, level indicator
Motor power	2,2 kW

A4 Mini is EC-type tested and certified by the Notified Body DNV.



P_K-A4MINI_GB.13.05 We reserve the right to product alterations. © Kalea Lifts AB 2013

Kalea Lifts AB

www.kalealifts.com/fr
info@kalea.se

